

GROVE®

RT530E

product guide

contents

Features

2

Specifications

3

Dimensions

5

Working Range

6

Load Charts

7

Load Handling

11

features

- 30 ton (30 mt) capacity
- 29-95 ft. (8.8-29 m)
4-section full power boom
- 26-45 ft. (7.9-13.7 m)
telescopic swingaway extension
- Max main boom tip height of 102.5 ft. (31.2 m)
- "E" Series cab
- Max overall tip height 146 ft. (44.5 m)
- One double-acting telescoping cylinder
- 3 position outriggers, max spread 20 ft. (6.1 m)
- Cummins QSB 5.9L diesel, 6 cyl., turbocharged engine



Rough Terrain Hydraulic Crane

features

2



The boom on the RT530E is a 29-95 ft. (8.8-29 m) four-section full power boom with a maximum tip height of 102.5 ft. (31.2 m). This synchronized boom uses a single lever joystick control to extend boom sections equally.



Fixed length or tele-swingaway boom extension options provide 26 ft. (7.9 m) or 26-45 ft. (7.9-13.7 m) of additional height that can offset to 0° & 30°. Max RT530E tip height with the tele extension is 146 ft. (44.5 m) and also provides a max working radius of 120 ft. (36.6 m). Optional full-length decking is also available.



Features common to the Grove "E" Series cab include:

- hot water heater/defroster
- single axis joystick controllers
- sliding skylight and adjustable sunscreen
- engine instrumentation



- full acoustical lining

The PAT i-Flex 5 graphic display LMI includes a work area definition



system which allows the operator to define a preferred working area.

A quick reeve boom nose and swingaway alignment device help operators put the RT530E to work quickly.



specifications

3

Superstructure



Boom

29 ft. - 95 ft. (8.8 m - 29 m) four-section, full power boom.
Maximum tip height: 102.5 ft. (31.2 m).



*Optional Fixed Swingaway Extension

26 ft. (7.92 m) offsettable swingaway extension. Offsettable at 0° and 30°. Stows alongside base boom section. Maximum tip height: 127.6 ft. (38.9 m).



*Optional Telescopic Swingaway Extension

26 ft. - 45 ft. (7.92 m - 13.7 m) telescoping offsettable swingaway extension. Offsettable at 0° and 30°. Stows alongside base boom section.
Maximum tip height: 146 ft. (44.5 m).



Boom Nose

Three nylatron sheaves mounted on heavy duty tapered roller bearings with removable pin-type rope guards. Quick reeve type boom nose. *Optional removable auxiliary boom nose with removable pin type rope guard.



Boom Elevation

One double-acting hydraulic cylinder with integral holding valve provides elevation from -3° to +76°.



Load Moment & Anti-Two Block System

Standard "Graphic Display" load moment and anti-two block system with audio-visual warning and control lever lockout. These systems provide electronic display of boom angle, length, radius, tip height, relative load moment, maximum permissible load, load indication and warning of impending two-block condition. The standard Work Area Definition System allows the operator to pre-select and define safe working areas. If the crane approaches the pre-set limits, audio-visual warnings aid the operator in avoiding job-site obstructions.



Cab

Full vision, all steel fabricated with acoustical lining and tinted safety glass throughout. Deluxe seat incorporates armrest mounted hydraulic single-axis controllers. Dash panel incorporates gauges for all engine functions. Other standard features include: hot water heater, cab circulating air fan, sliding side and rear windows, sliding skylight with electric wiper, electric windshield wash/wipe, fire extinguisher, seat belt, and sunscreen.



Swing

Planetary swing with foot applied multi-disc brake. Spring applied, hydraulically released swing brake and plunger-type, one position, mechanical house lock operated from cab.

*Optional 360° mechanical swing lock. Maximum speed: 2.8 RPM.



Counterweight

8,400 lbs. (3 810 kg) pinned to superstructure.



Hydraulic System

Three main gear pumps with a combined capacity of 100 GPM (381 L/min).

Maximum operating pressure: 3,500 PSI (26.2 MPa).

Two individual valve banks.

Return line type filter with full flow by-pass protection and service indicator. Replaceable cartridge with micron filtration rating of 5/12/16.

90 gallon (341 L) reservoir.

Integral oil cooler.

System pressure test ports.

HOIST SPECIFICATIONS

Main and Auxiliary Hoist Model HP15B-17G

Planetary reduction with automatic spring applied multi-disc brake. Grooved drum. Electronic hoist drum rotation indicator and hoist drum cable followers.

Maximum Single Line Pull: 11,640 lbs.
(5 280 kg)

Maximum Single Line Speed: 445 FPM
(136 m/min)

Maximum Permissible Line Pull:
w/standard 6 x 37 class rope: 11,640 lbs. (5 280 kg)
w/optional 35 x 7 class rope: 11,640 lbs. (5 280 kg)

Rope Diameter: 5/8 in.
(16 mm)

Rope Length: 450 ft.
(137 m)

Rope Type:
6 x 37 class EIPS IWRC
*Optional 35 x 7 class rotation resistant

Maximum Rope Stowage: 750 ft.
(228 m)

*Denotes optional equipment

RT530E

specifications

4

Carrier

Chassis

Box section frame fabricated from high-strength, low alloy steel. Integral outrigger housings and front/rear towing and tie down lugs.

Outrigger System

Four hydraulic telescoping single-stage double box beam outriggers with inverted jacks and integral holding valves. Three position setting. All steel fabricated quick release type outrigger floats, 16.5 in. (419 mm) square.

Maximum outrigger pad load: 48,900 lbs. (22 498 kg)

Outrigger Controls

Controls and crane level indicator located in cab.

Engine

Cummins QSB 5.9L diesel, six cylinders, turbo-charged, 155 bhp (116 kW) (Gross) @ 2,500 RPM.

Maximum torque: 440 ft. lbs. (597 Nm) @ 1,500 RPM.

Fuel Tank Capacity

58 gallons (220 L)

Transmission

Full powershift with 6 forward and 6 reverse speeds. Front axle disconnect for 4 x 2 travel.

Electrical System

Two 12 V - maintenance free batteries. 12 V starting and lighting, battery disconnect switch.

Drive

4 x 4

Steering

Fully independent power steering:

Front: Full hydraulic steering wheel controlled.

Rear: Full hydraulic switch controlled.

Provides infinite variations 4 main steering modes: front only, rear only, crab and coordinated. Rear steer indicating gauge.

Axles

Front: Drive/steer with differential and planetary reduction hubs rigid mounted to frame.

Rear: Drive/steer with differential and planetary reduction hubs pivot mounted to frame.

Automatic full hydraulic lockouts on rear axle permit oscillation only with boom centered over the front.

Brakes

Full hydraulic split circuit disc-type brakes operating on all wheels. Spring-applied, hydraulically released transmission-mounted parking brake.

Tires

20.5 x 25-24PR bias earthmover type.

*16.00 x 25-28PR bias earthmover type.

Lights

Full lighting package including turn indicators, head, tail, brake and hazard warning lights.

Maximum Speed

24 MPH (39 km/h)

Gradeability (Theoretical)

70% (Based on 58,000 [26 309 kg] GVW) 20.5 x 25 tires, pumps engaged, 95 ft. (29 m) boom, and tele-swingaway.

Miscellaneous Standard Equipment

Full width steel fenders, dual rear view mirrors, hookblock tiedown, electronic back-up alarm, light package, front stowage well, tachometer, rear wheel position indicator, hot water heater, hoist mirrors, engine distress A/V warning system. Auxiliary hoist control valve arrangement (less hoist). Cold start aid and immersion type engine block heater, 120 V, 1500 watt.

*Optional Equipment

* AUXILIARY HOIST PACKAGE (includes Model HP15B-17G auxiliary hoist with electronic hoist drum rotation indicator, hoist drum cable follower, 450 ft. (137 m) of 5/8 in. (16 mm) 35 x 7 class wire rope and auxiliary single sheave boom nose.

* AIR CONDITIONING PACKAGE (includes hydraulic driven air conditioning).

*AUXILIARY LIGHTING PACKAGE (includes cab mounted, 360° rotation spotlight, cab mounted amber flashing light, and dual base boom mounted floodlights).

*CONVENIENCE PACKAGE (includes in cab LMI lightbar).

*Pintle hook - rear

*Full length aluminum decking

*CE mark conformance

*15 ton 2 sheave hookblock

*Cab-controlled cross axle differential locks (front & rear)

*360 degree NYC style positive swinglock

*PAT Datalogger

**Denotes optional equipment*

RT530E

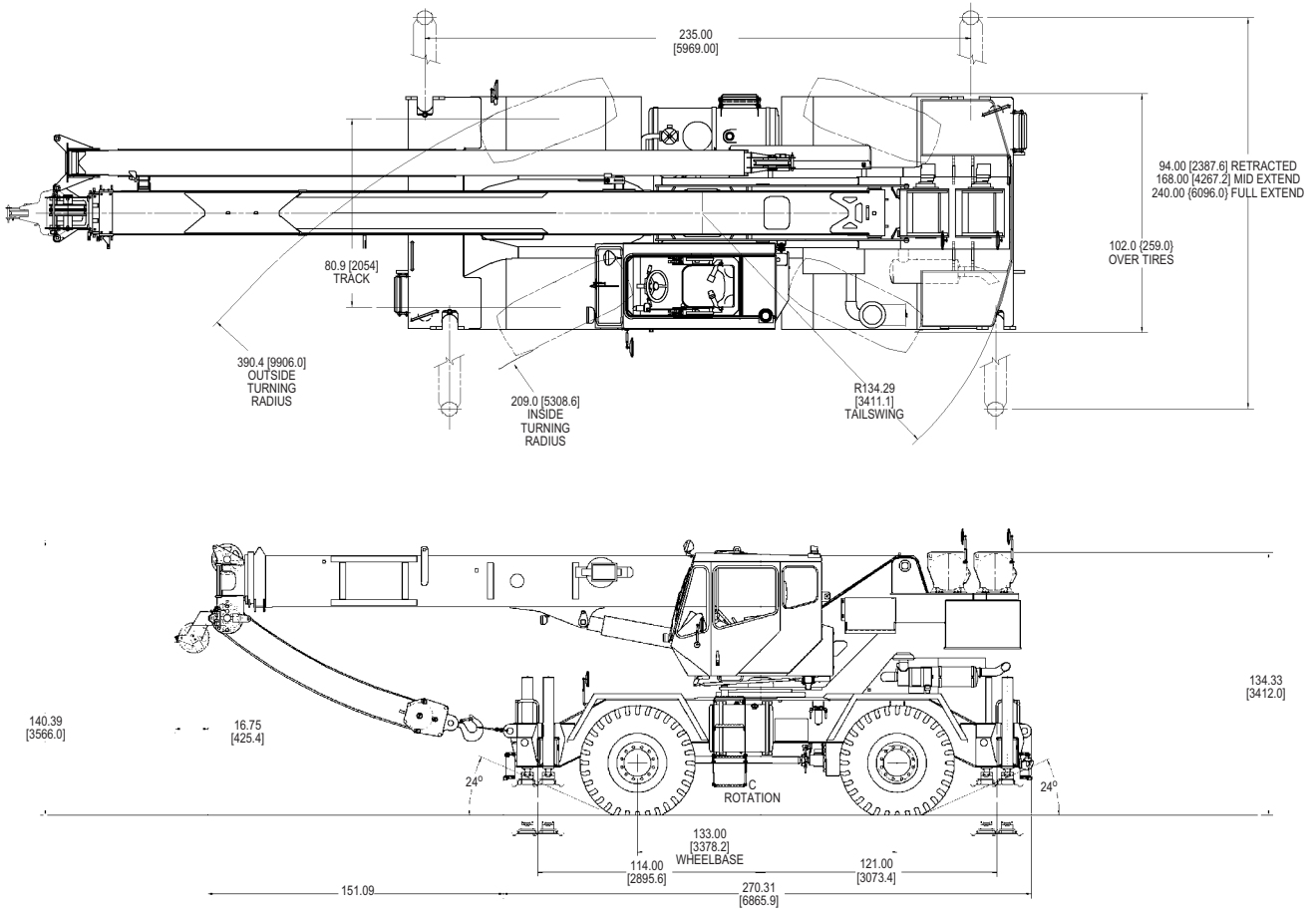
GROVE.

dimensions

5

NOTES:

1. ALL DIMENSIONS ARE FOR REFERENCE ONLY.
 2. BOOM ELEVATION IS -3° TO +76°.
- ▷ DIMS. SHOWN BASED ON 20.5 X 25 TIRES.
ADD 1.36 [34.5] FOR 16.0 X 25 TIRES.



NOTE: [] Reference dimensions in mm

Weights

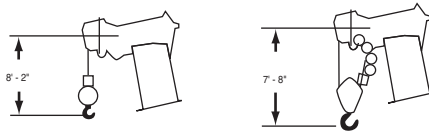
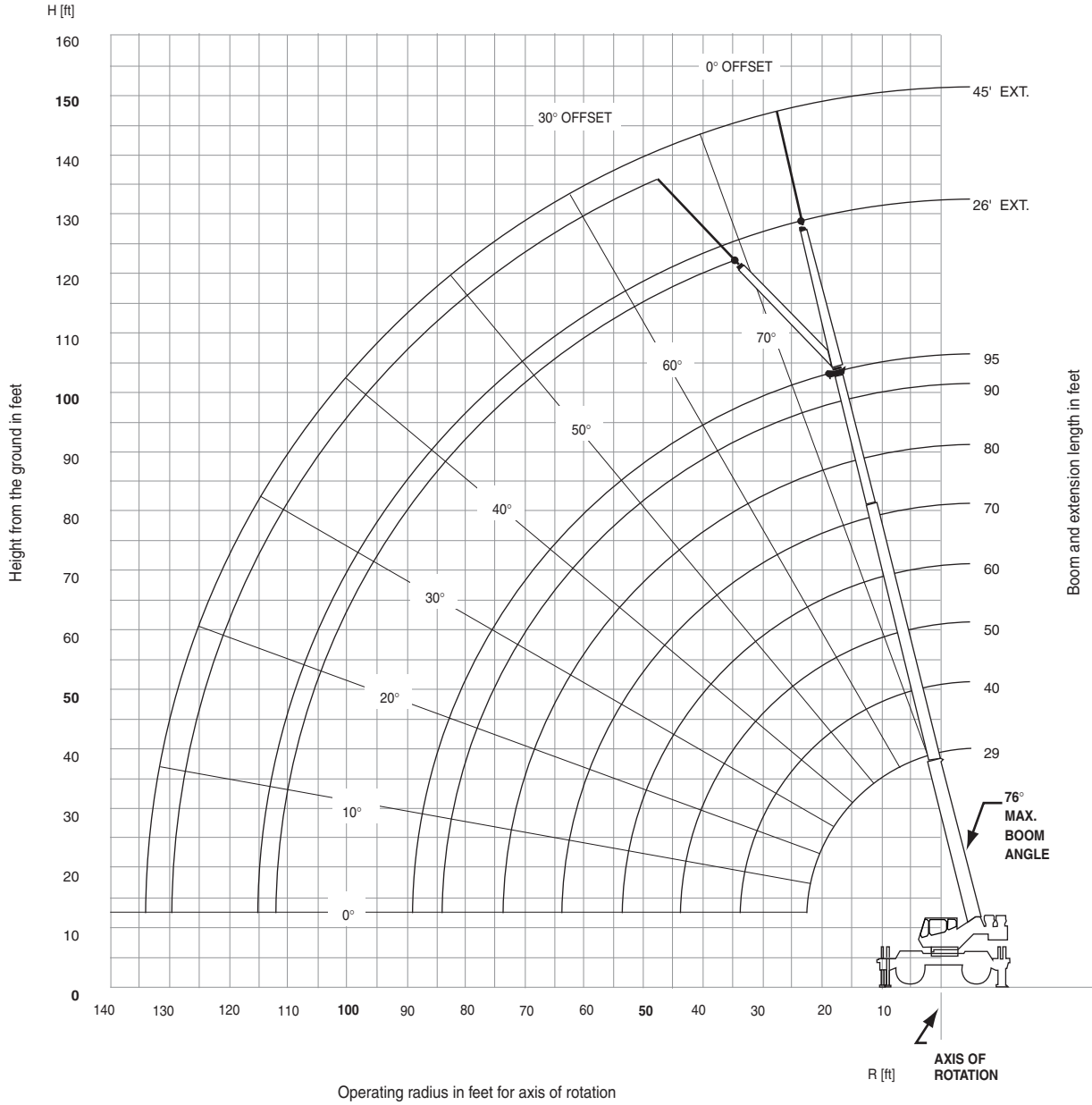
	GVW		Front		Rear	
	lb.	kg	lb.	kg	lb.	kg
RT530E Basic Machine	54,483	24,713	25,090	11,381	29,393	13,333
ADD: 26 - 45 ft Tele swingaway	1,790	812	2,853	1,294	-1,063	-482
ADD: 26 ft swingaway	1,300	590	2,111	958	-811	-368
ADD: Auxiliary Hoist cable	339	154	-127	-58	466	211
ADD: Auxiliary boom nose	142	64	283	128	-141	-64
ADD: 30 ton (28mt) 3-sheave hook-block (stowed)	580	263	611	277	-31	-14
ADD: 7.5 ton (6.8mt) headache ball (stowed)	369	167	388	176	-19	-9
Remove: counterweight	-8,400	-3,810	2,668	1,210	-11,068	-5,020

RT530E

working range

Working range – 95 ft. Main Boom + 26-45 ft. extension

6



Dimensions are for largest Grove furnished hook block and headache ball, with anti-two block activated.

THIS CHART IS ONLY A GUIDE AND SHOULD NOT BE USED TO OPERATE THE CRANE. The individual crane's load chart, operating instructions and other instructional plates must be read and understood prior to operating the crane.

RT530E

GROVE

RT530E load chart

 29-95 ft.
 8,400 lbs
 100%
 360...
 20' spread

Feet	29	40	50	60	70	80	90	95
10	60,000 (60.5)	50,100 (69.5)	46,950 (74.5)					
12	54,650 (56)	50,100 (66.5)	44,950 (72)	*38,850 (76)				
15	42,850 (47.5)	43,800 (61.5)	41,050 (68)	36,000 (72)	*29,450 (76)	*22,450 (76)		
20	30,700 (30)	31,650 (53)	32,100 (61.5)	29,500 (67)	27,400 (71)	22,450 (73.5)	*18,550 (76)	*15,500 (76)
25		24,050 (42.5)	24,500 (54.5)	24,800 (61.5)	23,100 (66.5)	19,250 (70)	16,500 (72.5)	15,300 (74)
30		18,800 (29)	19,250 (47)	19,550 (56)	19,600 (61.5)	16,850 (66)	14,400 (69)	13,200 (70.5)
35			15,550 (38)	15,850 (49.5)	16,000 (56.5)	14,850 (61.5)	12,700 (65.5)	11,500 (67.5)
40			12,800 (26)	12,950 (42.5)	13,000 (51.5)	13,050 (57.5)	11,000 (62)	10,000 (64)
45				10,450 (34.5)	10,500 (46)	10,550 (53)	9,630 (58.5)	9,060 (60.5)
50				8,610 (23.5)	8,630 (39.5)	8,670 (48)	8,720 (54.5)	7,990 (57)
55					7,170 (32)	7,200 (43)	7,250 (50)	7,100 (53)
60					6,000 (22)	6,030 (37)	6,100 (45.5)	6,110 (49)
65						5,080 (30)	5,120 (40.5)	5,150 (44.5)
70						4,270 (20.5)	4,330 (35)	4,350 (40)
75							3,650 (28.5)	3,700 (34.5)
80							3,100 (20)	3,100 (28)
85								2,600 (20)

Minimum boom angle (i) for indicated length (no load)

Maximum boom length (ft.) at 0_i boom angle (no load)

NOTE: () Boom angles are in degrees.

#LMI operating code. Refer to LMI manual for operating instructions.

*This capacity is based on maximum boom angle.

Lifting Capacities at Zero Degree Boom Angle On Outriggers Fully Extended - 360 _i								
Boom Angle	Main Boom Length in Feet							
	29	40	50	60	70	80	90	95.2
0 deg.	26,100 (22.8)	15,800 (33.8)	11,000 (43.8)	7,430 (53.8)	5,220 (63.8)	3,730 (73.8)	2,660 (83.8)	2,220 (89)

NOTE: () Reference radii in feet.

A6-829-101755

7

RT530E

THIS CHART IS ONLY A GUIDE AND SHOULD NOT BE USED TO OPERATE THE CRANE. The individual crane's load chart, operating instructions and other instructional plates must be read and understood prior to operating the crane.

GROVE

RT530E load chart

8



Pounds				
Feet	**26 ft. LENGTH		45 ft. LENGTH	
	#0021 0 _i OFFSET	#0023 30 _i OFFSET	#0041 0 _i OFFSET	#0043 30 _i OFFSET
30	*8,200 (76)			
35	8,200 (73.5)		*5,250 (76)	
40	8,200 (71)	*5,780 (76)	5,250 (75)	
45	8,120 (68.5)	5,780 (73.5)	4,940 (73)	
50	7,350 (66)	5,360 (71)	4,540 (71)	
55	6,370 (63)	4,750 (68)	4,150 (68.5)	*2,730 (76)
60	5,670 (60.5)	4,290 (65)	3,890 (66)	2,730 (74.5)
65	4,820 (57.5)	3,870 (62)	3,740 (64)	2,730 (72)
70	4,200 (54.5)	3,530 (59)	3,600 (61.5)	2,580 (69.5)
75	3,680 (51.5)	3,230 (56)	3,470 (59)	2,520 (67)
80	3,080 (48.5)	3,000 (52.5)	3,240 (56.5)	2,460 (64)
85	2,520 (45)	2,780 (49)	3,050 (54)	2,420 (61.5)
90	2,050 (41)	2,410 (45)	2,820 (51)	2,390 (58.5)
95	1,670 (37)	1,970 (40.5)	2,480 (48.5)	2,370 (55.5)
100	1,370 (32.5)	1,580 (35.5)	2,090 (45.5)	2,310 (52)
105	1,020 (27.5)		1,740 (42)	2,000 (49)
110			1,430 (38.5)	1,580 (45)
115			1,150 (35)	1,260 (40.5)
120			900 (30.5)	
Min. boom angle for indicated length (no load)	24 _i	30 _i	30 _i	30 _i
Max. boom length at 0 _i boom angle (no load)	80 ft.		80 ft.	

#LMI operating code. Refer to LMI manual for instructions. A6-829-100272A
 *This capacity based on maximum boom angle.
 **26 ft. capacities are also applicable to fixed offsettable ext. However, the LMI codes will change to #0051 and #0053 for 0_i and 30_i offset, respectively.

BOOM EXTENSION CAPACITY NOTES:

- All capacities above the bold line are based on structural strength of boom extension.
- 26 ft. and 45 ft. boom extension lengths may be used for single line lifting service.
- Radii listed are for a fully extended boom with the boom extension erected. For main boom lengths less than fully extended, the rated loads are determined by boom angle. Use only the column which corresponds to the boom extension length and offset for which the machine is configured. For boom angles not shown, use the rating of the next lower boom angle.
WARNING: Operation of this machine with heavier loads than the capacities listed is strictly prohibited. Machine tipping with boom extension occurs rapidly and without advance warning.
- Boom angle is the angle above or below horizontal of the longitudinal axis of the boom base section after lifting rated load.
- Capacities listed are with outriggers fully extended and vertical jacks set only.



Pounds				
Feet	#9005			
	Main Boom Length in Feet			
	29	40	50	60
10	25,550 (60.5)	25,550 (70)	*16,450 (76)	
12	20,600 (56)	20,600 (66.5)	16,450 (72)	
15	14,350 (47.5)	14,350 (62)	14,350 (68)	14,350 (72.5)
20	8,280 (30)	8,280 (53)	8,280 (61.5)	8,280 (67)
25		5,330 (42.5)	5,330 (54.5)	5,330 (61.5)
30		3,630 (29)	3,630 (47)	3,630 (56)
35			2,500 (38)	2,500 (49.5)
40			1,690 (26)	1,690 (42.5)
45				1,090 (34.5)
Min. boom angle for indicated length (no load)				34 _i
Max. boom length at 0 _i boom angle (no load)				50 ft.

NOTE: () Boom angles are in degrees.
 #LMI operating code. Refer to LMI manual for instructions.
 *This capacity is based upon maximum boom angle.

Lifting Capacity at Zero Degree On Rubber - 360_i

Boom Angle	Main Boom Length in Feet		
	29	40	50
0 _i	6,110 (22.8)	2,730 (33.8)	1,210 (43.8)

NOTE: Reference radii in feet.

A6-829-100274C



Pounds				
Feet	#9005			
	Main Boom Length in Feet			
	29	40	50	60
10	30,100 (60.5)	26,550 (70)	16,450 (74.5)	
12	26,550 (56)	22,100 (66.5)	16,450 (72)	
15	22,100 (47.5)	22,100 (62)	16,450 (68)	16,450 (72.5)
20	16,050 (30)	16,050 (53)	16,050 (61.5)	16,050 (67)
25		11,005 (42.5)	11,005 (54.5)	11,005 (61.5)
30		8,060 (29)	8,060 (47)	8,060 (56)
35			6,110 (38)	6,110 (49.5)
40			4,720 (26)	4,720 (42.5)
45				3,680 (34.5)
50				2,870 (23.5)
Min. boom angle for indicated length (no load)				0 _i
Max. boom length at 0 _i boom angle (no load)				60 ft.

NOTE: () Boom angles are in degrees.
 #LMI operating code. Refer to LMI manual for instructions.

Lifting Capacity at Zero Degree On Rubber
 Stationary- Defined Arc Boom Centered Over Front

Boom Angle	Main Boom Length in Feet			
	29	40	50	60
0 _i	12,700 (22.8)	6,500 (33.8)	3,890 (43.8)	2,360 (53.8)

NOTE: Reference radii in feet.

A6-829-100275B

RT530E

THIS CHART IS ONLY A GUIDE AND SHOULD NOT BE USED TO OPERATE THE CRANE. The individual crane's load chart, operating instructions and other instructional plates must be read and understood prior to operating the crane.

RT530E load charts



Pounds				
#9006				
Feet	Main Boom Length in Feet			
	29	40	50	60
10	25,900 (60.5)	25,900 (70)	18,250 (74.5)	
12	22,350 (56)	22,350 (66.5)	18,250 (72)	
15	18,250 (47.5)	18,250 (62)	18,250 (68)	13,350 (72.5)
20	13,350 (30)	13,350 (53)	13,350 (61.5)	13,350 (67)
25		10,350 (42.5)	10,350 (54.5)	10,350 (61.5)
30		8,060 (29)	8,060 (47)	8,060 (56)
35			4,810 (38)	4,810 (49.5)
40			3,770 (26)	3,770 (42.5)
45				2,930 (34.5)
50				2,240 (23.5)
Min. boom angle for indicated length (no load)				0 _i
Max. boom length at 0 _i boom angle (no load)				60 ft.

NOTE: () Boom angles are in degrees.
#LMI operating code. Refer to LMI manual for instructions.

Lifting Capacity at Zero Degree On Rubber Pick & Carry - Boom Centered Over Front				
Boom Angle	Main Boom Length in Feet			
	29	40	50	60
0 _i	11,400 (22.8)	5,090 (33.8)	3,110 (43.8)	1,800 (53.8)

NOTE: Reference radii in feet. A6-829-100276B

NOTES TO ALL RUBBER CAPACITY CHARTS:

- Capacities are in pounds and do not exceed 75% of tipping loads as determined by test in accordance with SAE J765.
- Capacities are applicable to machines equipped with 20.5x25 (24 ply) tires at 75 psi cold inflation pressure, and 16.00x25 (28 ply) tires at 100 psi cold inflation pressure.
- Defined Arc - Over front includes 6° on either side of longitudinal centerline of machine (ref. drawing C6-829-003529).
- Capacities appearing above the bold line are based on structural strength and tipping should not be relied upon as a capacity limitation.
- Capacities are applicable only with machine on firm level surface.
- On rubber lifting with boom extensions not permitted.
- For pick and carry operation, boom must be centered over front of machine, mechanical swing lock engaged and load restrained from swinging. When handling loads in the structural range with capacities close to maximum ratings, travel should be reduced to creep speeds.
- Axle lockouts must be functioning when lifting on rubber.
- All lifting depends on proper tire inflation, capacity and condition. Capacities must be reduced for lower tire inflation pressures. See lifting capacity chart for tire used. Damaged tires are hazardous to safe operation of crane.
- Creep - Not over 200 ft. of movement in any 30 minute period and not exceeding 1mph.



Pounds								
#4001								
Feet	Main Boom Length in Feet							
	29	40	50	60	70	80	95	
10	60,000 (60.5)	48,000 (69.5)	45,000 (74.5)					
12	53,300 (56)	48,000 (66.5)	44,950 (72)	*37,000 (76)				
15	42,100 (47.5)	40,500 (61.5)	38,350 (68)	36,000 (72)	*27,400 (76)	*21,000 (76)		
20	23,950 (30)	23,850 (53)	23,900 (61.5)	24,050 (67)	23,200 (71)	21,000 (73.5)	*17,000 (76)	
25		15,850 (42.5)	15,950 (54.5)	16,150 (61.5)	16,350 (66.5)	16,400 (70)	15,950 (72.5)	
30		11,350 (29)	11,500 (47)	11,650 (56)	11,800 (61.5)	12,000 (66)	12,150 (69)	
35			8,620 (38)	8,820 (49.5)	8,930 (56.5)	9,050 (61.5)	9,190 (65.5)	
40			6,610 (26)	6,820 (42.5)	6,900 (51.5)	6,990 (57.5)	7,100 (62)	
45				5,350 (34.5)	5,400 (46)	5,470 (53)	5,550 (58.5)	
50				4,220 (23.5)	4,260 (39.5)	4,310 (48)	4,370 (54.5)	
55				3,350 (32)	3,390 (43)	3,430 (50)	3,460 (53)	
60				2,600 (22)	2,640 (37)	2,670 (45.5)	2,700 (49)	
65					2,020 (30)	2,050 (40.5)	2,060 (44.5)	
70					1,490 (20.5)	1,520 (35)	1,530 (40)	
75						1,070 (28.5)	1,080 (34.5)	
0.1A (lb.)	660	610	580	560	550	540	530	
Minimum boom angle (i) for indicated length (no load)							15	20
Maximum boom length (ft.) at 0 _i boom angle (no load)							80	

NOTE: () Boom angles are in degrees.
#LMI operating code. Refer to LMI manual for operating instructions.
*This capacity is based on maximum boom angle.

Lifting Capacities at Zero Degree Boom Angle On Outriggers 50% Extended - 360 _i				
Boom Angle	Main Boom Length in Feet			
	29	40	50	60
0 deg.	18,800 (22.8)	9,000 (33.8)	5,400 (43.8)	3,480 (53.8)
				2,100 (63.8)
				1,130 (73.8)

NOTE: () Reference radii in feet. A6-829-100270A

THIS CHART IS ONLY A GUIDE AND SHOULD NOT BE USED TO OPERATE THE CRANE. The individual crane's load chart, operating instructions and other instructional plates must be read and understood prior to operating the crane.

load charts

10



		Pounds									
		#8001									
		Main Boom Length in Feet									
Feet		29	40	50	60	70	80	90	95		
10		34,700 (60.5)	32,400 (69.5)	30,400 (74.5)							
12		26,200 (56)	25,400 (66.5)	24,100 (72)	*22,900 (76)						
15		17,750 (47.5)	17,550 (61.5)	17,550 (68)	17,250 (72)	*16,550 (76)	*10,900 (76)				
20		10,650 (30)	10,600 (53)	10,650 (61.5)	10,750 (67)	11,000 (71)	10,900 (73.5)	*10,500 (76)	*10,350 (76)		
25			6,930 (42.5)	7,020 (54.5)	7,170 (61.5)	7,350 (66.5)	7,560 (70)	7,610 (72.5)	7,490 (74)		
30			4,670 (29)	4,780 (47)	4,950 (56)	5,080 (61.5)	5,240 (66)	5,390 (69)	5,480 (70.5)		
35				3,270 (38)	3,450 (49.5)	3,550 (56.5)	3,660 (61.5)	3,780 (65.5)	3,850 (67.5)		
40					2,170 (26)	2,370 (42.5)	2,440 (51.5)	2,520 (57.5)	2,620 (62)	2,670 (64)	
45						1,550 (34.5)	1,600 (46)	1,660 (53)	1,740 (58.5)	1,780 (60.5)	
50								1,050 (54.5)	1,080 (57)		
0.1A (lb)		660	610	580	560	550	540	540	530		
Minimum boom angle (j) for indicated length (no load)					33	43	51	53	55		
Maximum boom length (ft.) at 0j boom angle (no load)							50				

NOTE: () Boom angles are in degrees.
#LMI operating code. Refer to LMI manual for operating instructions.
*This capacity is based on maximum boom angle.

		Lifting Capacities at Zero Degree Boom Angle On Outriggers 0% Extended - 360j									
		Main Boom Length in Feet									
Boom Angle		29	40	50							
0 deg.		8,310 (22.8)	3,390 (33.8)	1,480 (43.8)							

NOTE: () Reference radii in feet.

A6-829-100271A



		Pounds							
		**26 ft. LENGTH				45 ft. LENGTH			
		#4021		#4023		#4041		#4043	
Feet		0j OFFSET	30j OFFSET	0j OFFSET	30j OFFSET	0j OFFSET	30j OFFSET	0j OFFSET	30j OFFSET
30		*8,200 (76)							
35		8,200 (73.5)				*5,250 (76)			
40		6,940 (71)		*5,780 (76)		5,250 (75)			
45		5,580 (68.5)		5,780 (73.5)		4,940 (73)			
50		4,490 (66)		5,360 (71)		4,540 (71)			
55		3,600 (63)		4,350 (68)		4,150 (68.5)		*2,730 (76)	
60		2,860 (60.5)		3,430 (65)		3,490 (66)		2,730 (74.5)	
65		2,190 (57.5)		2,670 (62)		2,870 (64)		2,730 (72)	
70		1,610 (54.5)		2,030 (59)		2,340 (61.5)		2,580 (69.5)	
75		1,120 (51.5)		1,490 (56)		1,840 (59)		2,520 (67)	
80				1,020 (52.5)		1,400 (56.5)		2,260 (64)	
85						1,020 (54)		1,760 (61.5)	
90								1,310 (58.5)	
0.1A (lb.)		570	540	500	460				
Min. boom angle for indicated length (no load)		44j	46j	48j	49j				
Max. boom length at 0j boom angle (no load)		60 ft.				60 ft.			

NOTE: () Boom angles are in degrees. A6-829-100273B
#LMI operating code. Refer to LMI manual for instructions.
*This capacity based on maximum boom angle.
**26 ft. capacities are also applicable to fixed offsettable ext. However, the LMI codes will change to #4051 and #4053 for 0j and 30j offset, respectively.

BOOM EXTENSION CAPACITY NOTES:

- All capacities above the bold line are based on structural strength of boom extension.
- 26 ft. and 45 ft. boom extension lengths may be used for single line lifting service.
- Radii listed are for a fully extended boom with the boom extension erected. For main boom lengths less than fully extended, the rated loads are determined by boom angle. Use only the column which corresponds to the boom extension length and offset for which the machine is configured. For boom angles not shown, use the rating of the next lower boom angle.
WARNING: Operation of this machine with heavier loads than the capacities listed is strictly prohibited. Machine tipping with boom extension occurs rapidly and without advance warning.
- Boom angle is the angle above or below horizontal of the longitudinal axis of the boom base section after lifting rated load.
- Capacities listed are with outriggers properly extended and vertical jacks set only.

RT530E

THIS CHART IS ONLY A GUIDE AND SHOULD NOT BE USED TO OPERATE THE CRANE. The individual crane's load chart, operating instructions and other instructional plates must be read and understood prior to operating the crane.

GROVE

load handling

11

Weight Reductions for Load Handling Devices

26 ft. Offsettable Boom Extension	Pounds
*Erected -	2,960

26 ft.-45 ft. Tele. Boom Extension	Pounds
*Erected (Retracted) -	4,220
*Erected (Extended) -	5,780

*Reduction of main boom capacities

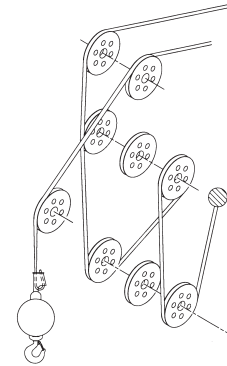
Auxiliary Boom Nose	Pounds
	142

Hookblocks and Headache Balls	Pounds
30 Ton, 3 Sheave	580 +
15 Ton, 2 Sheave	425 +
7.5 Ton Overhaul Ball	354 +
7.5 Ton Headache Ball	338 +

*Refer to rating plate for actual weight.

When lifting over swingaway and/or jib combinations, deduct total weight of all load handling devices reeved over main boom nose directly from swingaway or jib capacity.

NOTE: All load handling devices and boom attachments are considered part of the load and suitable allowances MUST BE MADE for their combined weights. Weights are for Grove furnished equipment.



Line Pulls and Reeving Information

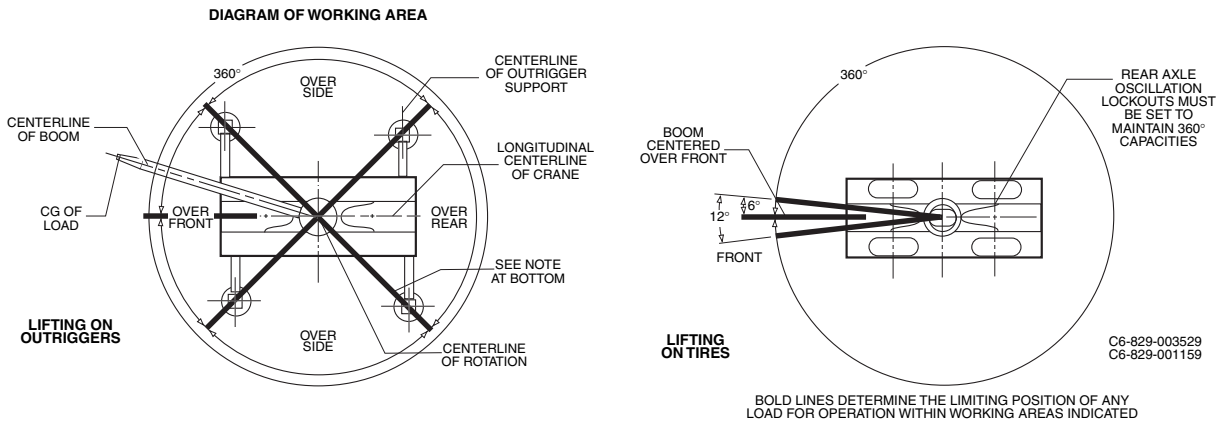
Hoists	Cable Specs	Permissible Line Pulls	Nominal Cable Length
Main & Aux.	5/8" (16 mm) Flex-X35 (35x7)	11,640 lb.	450 ft.
	Rotation Resistant (non-rotating) Min. Breaking Str. 61,200 lb.		
Main	5/8" (16 mm) 6x37 Class	11,640 lb.	450 ft.
	EIPS, IWRC Special Flexible Min. Breaking Str. 41,200 lb.		

Hoist Performance

Wire Rope Layer	Hoist Line Pulls Available lb.*	Drum Rope Capacity (ft.) Layer	Total
1	11,640	77	77
2	10,480	85	162
3	9,530	94	256
4	8,730	102	358
5	8,060	111	469
6	7,490	119	588

*Max. lifting capacity: 6x37 class = 11,640 lb.
35x7 class = 11,640 lb.

Working Area Diagram



Bold lines determine the limiting position of any load for operation within working areas indicated.

THIS CHART IS ONLY A GUIDE AND SHOULD NOT BE USED TO OPERATE THE CRANE. The individual crane's load chart, operating instructions and other instructional plates must be read and understood prior to operating the crane.



Manitowoc Crane Group - Americas

Manitowoc, Wisconsin Facility
Tel: [Int + 001] 920 684 6621
Fax: [Int + 001] 920 683 6277
Shady Grove, Pennsylvania Facility
Tel: [Int + 001] 717 597 8121
Fax: [Int + 001] 717 597 4062

Manitowoc Crane Group - EMEA

Europe Middle East & Africa
Tel: [Int + 33] (0) 191 565 6281
Fax: [Int + 33] (0) 4 72 18 20 20

Manitowoc Crane Group - UK

Europe Middle East & Africa
Tel: [Int + 44] (0) 191 565 6281
Fax: [Int + 44] (0) 191 564 0442

Manitowoc Crane Group - Germany

(Sales, Parts & Service)
Tel: [Int + 49](0) 2173 8909 0
Fax: [Int + 49] (0) 2173 8909-30

Manitowoc Crane Group - France

France & Africa (Sales, Parts & Service)
Tel: [Int + 33] (0) 1 303 13150
Fax: [Int + 33] (0) 1 303 86085

Manitowoc Crane Group - Netherlands

(Sales, Parts & Service)
Tel: [Int + 31] (0) 76 578 39 99
Fax: [Int + 31] (0) 76 578 39 78

Manitowoc Crane Group - Italy

Italy & Southern Europe (Sales, Parts & Service)
Tel: [Int + 39] (0) 331 49 33 11
Fax: [Int + 39] (0) 331 49 33 30

Manitowoc Crane Group - Portugal

Portugal & Spain (Sales, Parts & Service)
Tel: [Int + 351] (0) 22 968 08 89
Fax: [Int + 351] (0) 22 968 08 97

Manitowoc Crane Group - Singapore

Asia/Pacific excl China (Sales, Parts & Service)
Tel: [Int + 65] 6861 1733
Fax: [Int + 65] 6862 4040 / 4142

Manitowoc Crane Group - Shanghai

China (Sales, Parts & Service)
Tel: [Int + 86] (0) 21 64955555
Fax: [Int + 86] (0) 2164852038

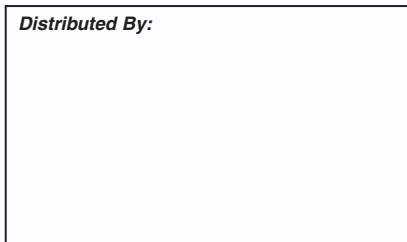
Manitowoc Crane Group - Beijing

China (Sales, Parts & Service)
Tel: [Int + 86] (0) 10 646 71690
Fax: [Int + 86] (0) 10 646 71691

Manitowoc Crane Group - Middle East

(Sales)
Tel: [Int + 971] (0) 4 348 4478
Fax: [Int + 971] (0) 4 348 4478
(Parts & Service)
Tel: [Int + 973] (0) 9 660 899
Fax: [Int + 973] (0) 2 707 740

Distributed By:



www.manitowoccrane.com



Constant improvement and engineering progress make it necessary that we reserve the right to make specification, equipment, and price changes without notice. Illustrations shown may include optional equipment and accessories, and may not include all standard equipment.